

HOIST (MH)

MEDIUM-DUTY COMMERCIAL DOOR OPERATOR



MEDIUM-DUTY APPLICATIONS

IDEAL FOR
smaller, lighter commercial doors with mid-range duty cycle requirement

WALL MOUNT
for high or vertical lift sectional doors or small rolling doors and grilles

CHAIN HOIST
with electric interlock for manual operation in an Emergency

MONITORED ENTRAPMENT PROTECTION:

COMMERCIAL PHOTO EYES
Indoor use; NEMA 1 rated;
max. range: 30 ft.



CPS-U

RETRO-REFLECTIVE PHOTO EYE

Photo eye and reflector with polarized beam; indoor/outdoor use; NEMA 4X rated; max. range: 50 ft.



CPS-RPEN4

DUAL-SIDED PHOTO EYES

Flexible rubber housings resist water spray and corrosion; indoor/outdoor use; NEMA 4X rated; max. range: 45 ft.



CPS-OPEN4

COMMERCIAL PROTECTOR SYSTEM®

Heavy-duty industrial housings; indoor/outdoor use; NEMA 4 rated; max. range: 45 ft.



CPS-UNA

OPTICAL EDGE SYSTEM

Infrared optical sensors in a cut-to-length rubber enclosure are protected against water; indoor/outdoor use; NEMA 6 rated; max. range: 33 ft.



OES

NON-MONITORED ENTRAPMENT PROTECTION:

LIGHT CURTAIN

Provides 36 inches of increased zone coverage for additional protection; indoor use; requires separate power source (100MAPS); max. range: 33 ft.



LC-36A

TOTAL SOLUTION ACCESSORIES:

TRI-COLOR 3-BUTTON REMOTE CONTROL

OPEN/CLOSE/STOP functionality, with easy code selection, 9-position trinary DIP switches with 19,683 changeable codes per channel.



333LM

REMOTE CONTROLS

Program one or up to three LiftMaster operators. With Security+ Rolling Code Technology 315 MHz, users are assured of a new code with every use.



373LM/371LM

WIRELESS KEYPAD

NEMA 4X (water protection requirements) sealed electronics for reliable outdoor use; provides additional compatibility with Security+ Technology.



KPW250

PROVEN PERFORMANCE

MEDIUM-DUTY LOGIC PROGRAMMABLE INTEGRATED CIRCUIT BOARD.

BUILT-IN 3-CHANNEL SECURITY+® RECEIVER:

- ALLOWS YOU TO LEARN/PROGRAM UP TO (20) LIFTMASTER® 315 MHZ REMOTE CONTROLS.
- RECOGNIZES SECURITY+ AND DIP SWITCH REMOTE CONTROLS.
- COMPATIBLE WITH 3-BUTTON, 3-COLOR REMOTE CONTROLS FOR OPEN CLOSE/STOP OPERATION. (333LM)

SAFE AND SECURE

INTEGRATED TIMER-TO-CLOSE (TTC) PROGRAMMABLE FROM 5 TO 60 SECONDS IN 5-SECOND INCREMENTS. ALLOWS FOR TIMED AUTOMATIC DOOR CLOSURE AFTER THE DOOR REACHES THE FULL OPEN POSITION.

EMERGENCY MANUAL OPERATION PROVIDES EASY EMERGENCY MANUAL OPERATION USING A FLOOR LEVEL DISCONNECT AND AN ELECTRICALLY INTERLOCKED CHAIN HOIST MECHANISM.

THE COMMERCIAL PROTECTOR SYSTEM AUTO-REVERSES THE CLOSING DOOR IF AN ENTRAPMENT PROTECTION DEVICE DETECTS AN OBSTRUCTION.

UL 325 REQUIRES ALL COMMERCIAL DOOR OPERATORS TO BE EITHER CONSTANT PRESSURE TO CLOSE OR BE EQUIPPED WITH A PRIMARY EXTERNAL MONITORED ENTRAPMENT DEVICE.

RELIABLE

HIGH-STARTING TORQUE MOTOR WITH OVERLOAD PROTECTION.

WARRANTY 2 YEARS.

LiftMaster offers accessory solutions for any commercial application. View the full product lineup at LiftMaster.com

PRODUCT GUIDE MH
MEDIUM-DUTY HOIST
COMMERCIAL OPERATOR

LiftMaster®

MASTERFUL ENGINEERING.

MOTOR



- Instant Reverse
- Capacitor Start and Overload Protection
- Removable Without Affecting Limit Switch Settings
- **Duty Cycle:** Maximum 12 Cycles per Hour; Less than 50 Cycles per Day

POWER



- 1/2 HP, 115V Single-Phase Motor
- 24V NEC Class 2 Control Circuit

COMMERCIAL-GRADE DESIGN



- **First-Stage Heavy-Duty 4L V-belt;** Second and Third Stages #48 Chain
- **Floor-Level Disconnect and Chain Hoist** with Electrical Interlock for Hoist Operation in an Emergency
- **Heavy-Duty Solenoid-Actuated Brake**
- **Maximum Door Height:** 14 Feet

STANDARD SPECS.

BUILT-IN 315 MHz RECEIVER

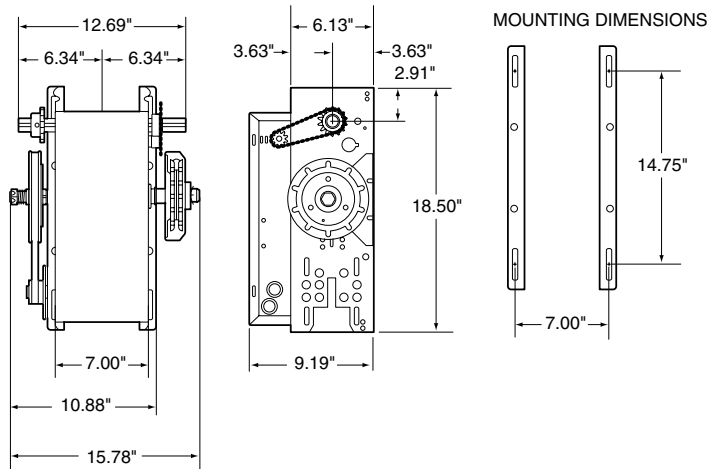
- 315 MHz radio receiver is integral to the Medium-Duty Logic board
- Accepts up to (20) LiftMaster® Security+® remote controls and unlimited DIP switch remote controls

WIRING

- All operators are factory preset to C2 mode, providing momentary contact to open and stop, with constant contact to close. Monitored entrapment protection, using approved photo sensors or sensing edges, is optional, although recommended, when using this wiring type
- Momentary contact to close (B2 mode) is an available optional wiring type, but can only be selected when the appropriate LiftMaster Monitored Entrapment Protection Device is installed, either photo eye or the directly wired Optical Edge System

CONSTRUCTION

- Heavy-duty oil-filled bushings
- Adjustable friction clutch helps protect against damage to the door and operator should the door meet an obstruction
- NEMA 1 type electrical box, heavy-duty 11-gauge steel frame with baked-on powder-coat finish, all reduction sprockets drilled and pinned to shafts
- Integrated 90-second maximum run timer



MAXIMUM DOOR AREA (SQ. FT.)

	24 GA. STEEL	22 GA. STEEL	-	20 GA., 18 GA. STEEL	16 GA. STEEL	-
ROLLING	ALUMINUM GRILLES	ALUMINUM DOORS	-	STEEL GRILLES	-	-
SECTIONAL	FIBERGLASS	24 GA., 22 GA. STEEL ALUMINUM DOORS	20 GA. STEEL	-	16 GA. STEEL	-
	-	-	WOOD DOORS	-	-	-
	-	-	24 GA. STEEL INSULATED	-	20 GA. STEEL INSULATED	16 GA. STEEL INSULATED
SQ FT.	320	275	250	200	250	200

NOTE: ON STEEL-INSULATED DOORS, A 24 GA. BACK PANEL IS ASSUMED.

ACCESSORIES/MODIFICATIONS.

- **SINGLE BUTTON CONTROL:** Provides an additional input for single-button control functionality. Required for installation of any external radio receiver (LiftMaster 850LM). **Recommended for factory installation (90-MSLBC);** field kit also available (71-MLSBC)
- **AUXILIARY LIMIT SWITCHES:** Provides additional limit switches with dry form C contacts at the open and closed door positions to control auxiliary devices such as lights, heaters, dock levelers, etc. **Must be factory installed;** Terminal Block Connections (90-210MTOC) or with Wire Leads (90-9210MOC)
- **INTERLOCK SWITCH:** Disables the operator control circuit when door is locked, preventing damage to the door and operator. Rolling Door Interlock (50401); Sectional Door Interlock (50450)

Note: LiftMaster Medium-Duty Operators have a limited number of modifications available. For additional robust features and to customize your application with our full suite of factory installed and field modifications upgrade to Logic 5.0. Visit Catalog.LiftMaster.com for more product information.